

TRUCKS AND BUSES



Do More.

Eicher Pro 6019T
The 18.5 Tonne GVW Tipper



EUTECH 6



EUTECH 6

Eicher is creating a new benchmark in the Indian commercial vehicle industry, through a revolutionary BSVI solution that combines global technology with innovative support services. This solution doesn't just make your vehicle BSVI compliant but ensures higher productivity of the truck and profitability of your business.



Euro VI Expertise for 6 years

VECV has been manufacturing and supplying base engines to the Volvo Group since 2013. Over 1,00,000 Euro VI base engines supplied, operating in 41 countries. First to rollout BSVI CV range in India, incorporating expertise of Euro VI technology.



Efficient EATS and engine technology

Best fluid economy: Lower fuel consumption + DEF consumption combined. Reliable EATS + engine technology tested for over 56,00,000 km. Vanadium based SCR for high reliability & low maintenance.



Enhanced UPTIME

Eicher Uptime Centre for 24x7 support by specialists. GPS enabled service vans just a phone call away. Remote diagnostics for quick repair of BSVI vehicles.



COMPACT BOX TYPE EATS FOR EFFICIENT THERMAL MANAGEMENT

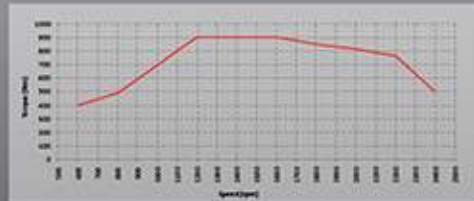


The new Eicher Pro 6019T is the next generation 18.5 tonne GVW Tipper. With the output power of 210 hp and higher torque output of 850 Nm, the Eicher Pro 6019T is built on the philosophy to *DO MORE* and deliver superior performance, reliability, higher productivity and greater revenues.



More Tonnes per Litre.

The new Eicher Pro 6019T is built to deliver best in class fuel efficiency thereby **reducing the operational costs**. The proven **VEDX5** engine clubbed with Volvo Group's EMS, delivers **high peak torque over a wide range of RPM**, ensuring Pro 6019T makes the most out of every drop of the fuel.



More Trips. Faster Turnaround.

Pro 6019T is made with a robust and optimized driveline which delivers **high torque at wheels** to carry higher loads in the toughest of terrain. **Higher power to weight ratio** provide higher pulling power and superior grade-ability leading to **faster turnaround and more trips**.

- » High peak torque of 825 NM.
- » High Gradeability 41% and Low TCD – 13 m.
- » High Torque at wheels with 5.29 FDR.
- » Higher power to weight ratio.
- » Heavy duty semi-elliptical with 10 leaf springs.
- » Ergonomically designed Day cabin for driver productivity.

Parabolic Suspension



Semi-Elliptical Suspension



Maximum Gradeability 41%



FIE System



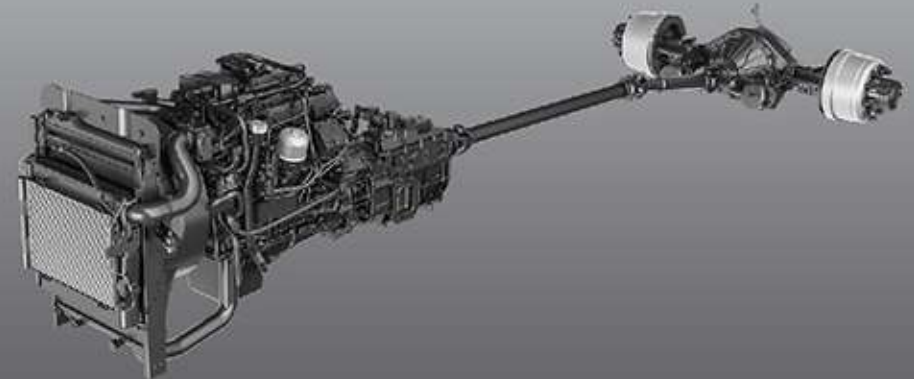
Volvo Group's EMS



ESS Compressor



- » Next Gen VEDX5 Common Rail engine.
- » Optimum engine design with wider flat torque curve (1200 -1600 rpm).
- » Higher power of 210 hp @ lower 2200 rpm.
- » Aerodynamic cabin to reduce air drag.
- » First in Industry **Fuel coaching** for improved driver performance.



Superior Uptime.

Higher strength and lower weight composite material derive **maximum component life** maximum asset utilization. Along with the **fully equipped Eicher Service Network**, preventive maintenance of the truck is ensured thus delivering superior uptime.



On-board Diagnostics



ET90 6 Speed Gearbox



Bigger Crown Wheel



- » Reliable VEDX5 engine with longer L10 Life
- » Reliable and robust aggregates for higher uptime
- » High strength DOMEX Chassis
- » Engine Protection System
- » On-Board Diagnostics & **Eicher LIVE**
- » Designed for easy maintenance
- » Synchronized Service Intervals for lesser visits to workshops

More Comfort. Enhanced Safety.

Pro 6019T Cabin has been designed keeping in mind the harsh conditions the drivers have to operate in. The **global cabin** not only provides a **comfortable workspace** but also ensures that the drivers are alert for longer hours.

- » Improved front parabolic suspension.
- » Tilt and telescopic power steering.
- » 6-way adjustable driver seat.
- » Intelligent Driver information system (IDIS) & Fuel coaching.
- » All round mirrors, electronic battery cut-off switch for enhanced safety.

IDIS



6-way adjustable driver seat

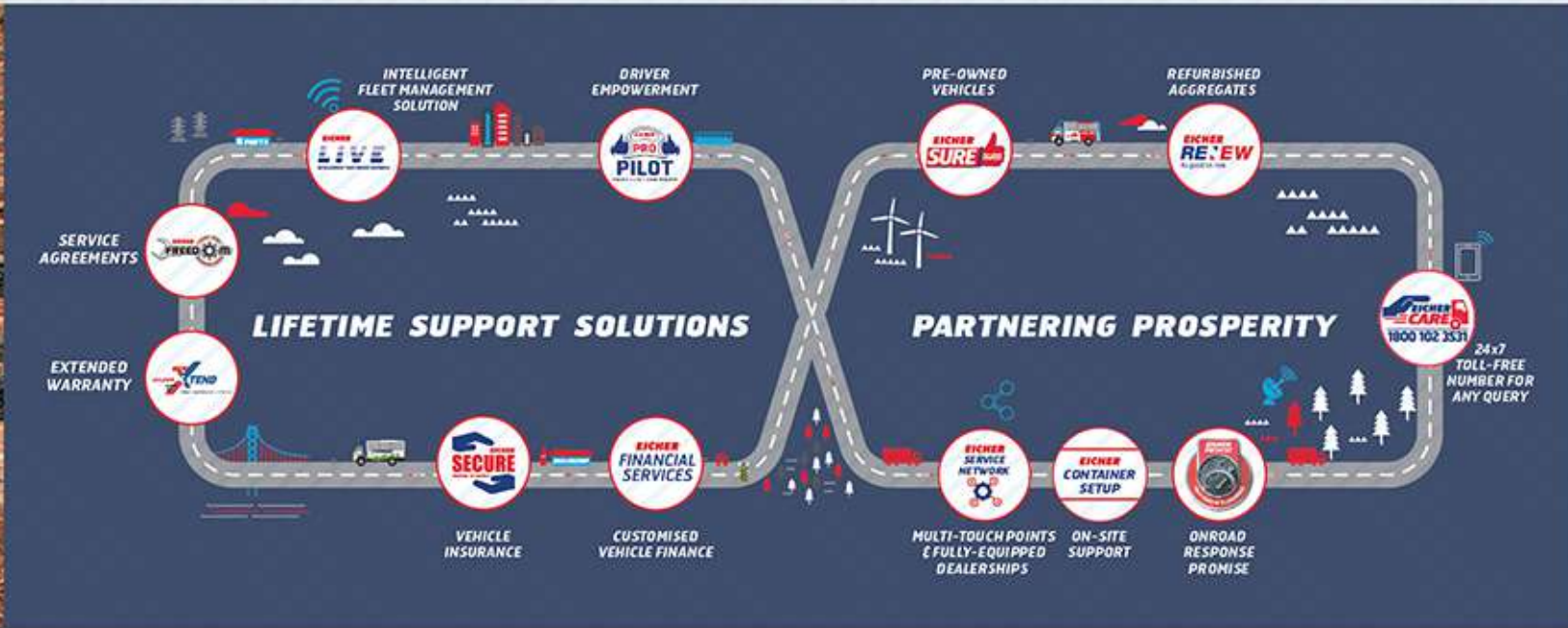


Tilt & Telescopic Steering



Lifetime Support Solutions.

Through our Lifetime Support Solutions, we ensure a seamless and hassle free experience from the time you consider buying an Eicher vehicle to the time you think of selling. Our continuously improving and holistic services will ensure higher uptime and productivity for your BSVI vehicles.



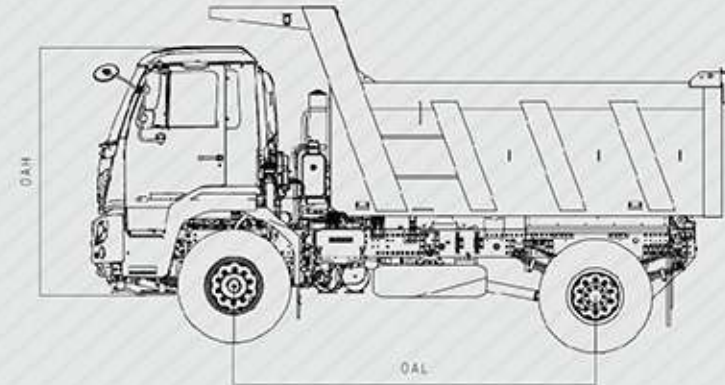
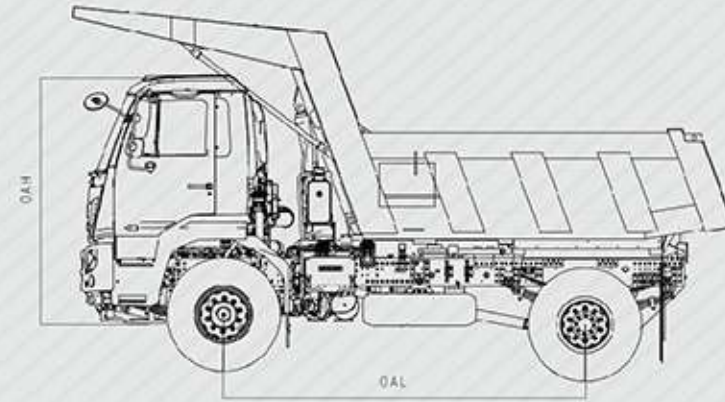
Eicher has taken a step towards achieving Superior Uptime, with a responsive attitude, that will set us apart and create a differentiated experience for our customer. With our new UPTIME CENTER and UPTIME CERTIFIED WORKSHOPS, we are now geared up with a pro- active support system for diagnostic assistance through advanced diagnostic tools.



At Uptime Certified Workshops only
*TEC Apply

Model Eicher Pro 6019T

GVW (kg)	18500
Engine	VEDXS, BS-VI
Max Power	210 hp @ 2200
Max Torque	825 Nm @ 1200-1600 rpm
Clutch (mm)	395mm, Push Type, Single Dry Plate
Gearbox	ET90S6 - 6F+1R
Front Axle	Forged I-beam reverse elliot type axle with stabilizer bar
Rear Axle	VECV 458DH rear axle
Rear Axle Ratio	5.29
Chassis Dimensions (mm)	285x76x6 with 5mm full length inner liner
Service brake	S-Cam Dual line with ABS
Parking brake	Pneumatically operated hand control valve
Front Suspension	Parabolic spring assembly
Rear Suspension	Semi elliptic laminated leaf spring
Cabin	Day Cabin (HVAC optional)
Steering	Tilt and telescopic power steering
Tyres	11x20 (Nylon)
Wheel Rims & Tyres	7.5x20
Fuel Tank (Litres)	220
DEF Tank (Litres)	33
Battery	24V: 120 Ah
Wheelbase (mm)	3635
Turning Circle Diameter (m)	13
Gradeability (%)	41% in 1st Gear
Ground Clearance (mm)	254
Body Variants (mm)	7 Cum (Rock), 8.5 Cum (Box), 10.5 Cum (Box)
Standard Features	Eicher Live, Fuel Coaching, Cruise Control, M Booster+



Vehicle Model	Wheelbase (mm)	Overall Length (OAL) mm	Overall Width (DAW) mm	Overall Height (DAH) mm
Pro 6019T (7 Cum Rock)	3635	6677	2590	3724
Pro 6019T (8.5 Cum Box)	3635	6415	2560	3387
Pro 6019T (10.5 Cum Box)	3635	6415	2560	3387



VE COMMERCIAL VEHICLES
 A VOLVO GROUP AND EICHER MOTORS JOINT VENTURE
eichertrucksandbuses.com, Eicher Care- 1800 102 3531

VE COMMERCIAL VEHICLES LTD.
 Registered Address – 3rd Floor Select Citywalk,
 A -3 District Centre, Saket, New Delhi 110 107, India
 CIN – U74900DL2008PLC175032

CORPORATE ADDRESS
 Eicher Trucks & Buses
 #96, Sector – 32, Gurgaon
 122001, Haryana, India

Caution: *do not weld or drill on chassis frame. *Accessories, colours and features shown in pictures or elsewhere may not constitute standard fitment. *Weight mentioned is for standard configuration with standard body sizes and will change due to optional fitments. *as a result of continuous research and innovation carried out, specifications are merely indicative and are subject to change without notice.